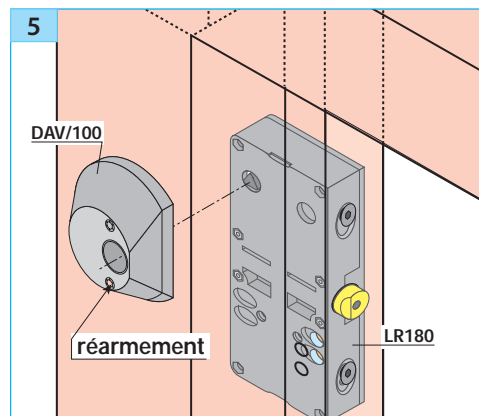
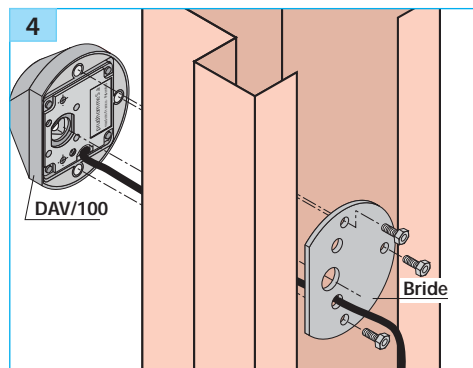
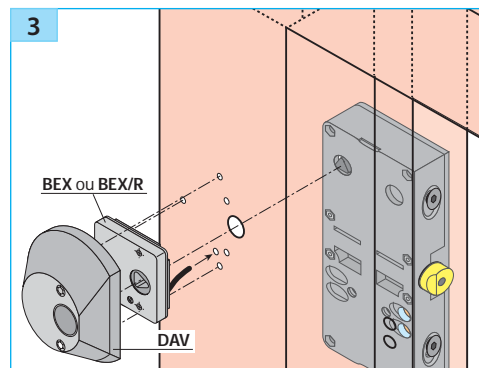
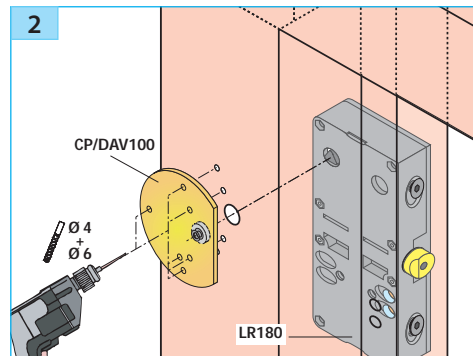
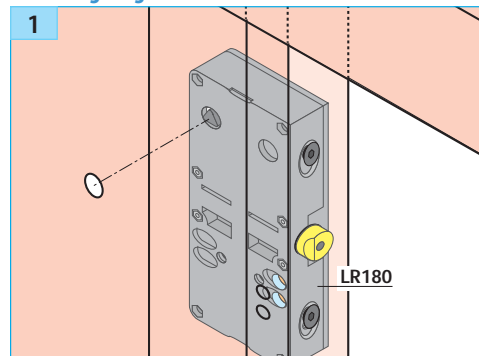


# DAV/100

# DAV/100/R

# Setting up the unit

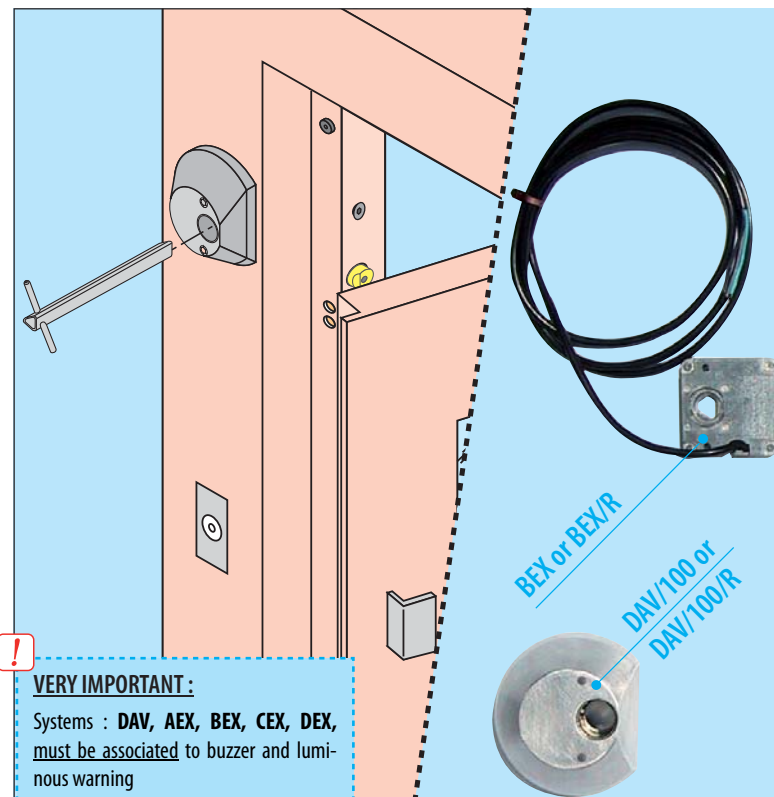
## Mounting stages



**WIRING :**  
- 3 wires (inverse contact) : **black** (commun) ;  
**gray** (NO) ; **blue** (NC).

NI-A Document non contractuel, sous réserve de modification - Reproduction interdite. NI Ind. A du 19/12/2011

## Anti vandal unlocking (and rearmable in option)



**Supplies :**  
DAV/100 or DAV/100/R + BEX or BEX/R + Bride + screws

**Optional :**  
CP/DAV100 or CP/DAV500.

PLEASE, BEFORE INSTALLATION, READ IT CAREFULLY.

prudhomme S.a

38, Rue Charles de Gaulle F  
94140 Paris/Alfortville  
www.prudhomme.com  
Tél. : +33 01 45 18 19 20  
Fax : +33 01 45 18 19 21

prudhomme S.a

Matériel spécifique pour ascenseurs - specific parts and components for elevators

# Opening detector for landing door by triangular key

DAV/100

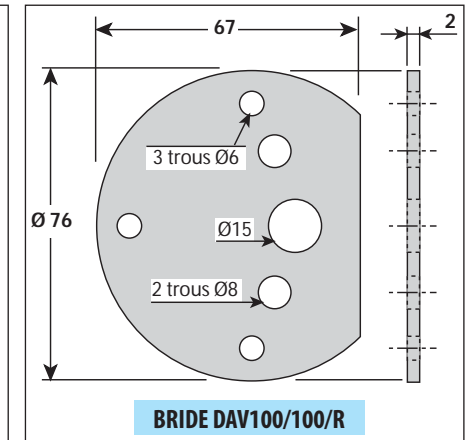
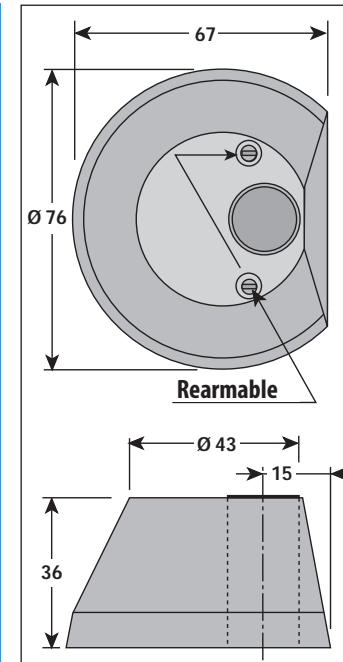
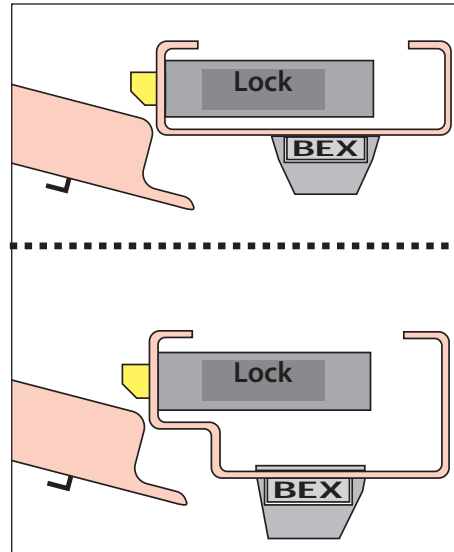
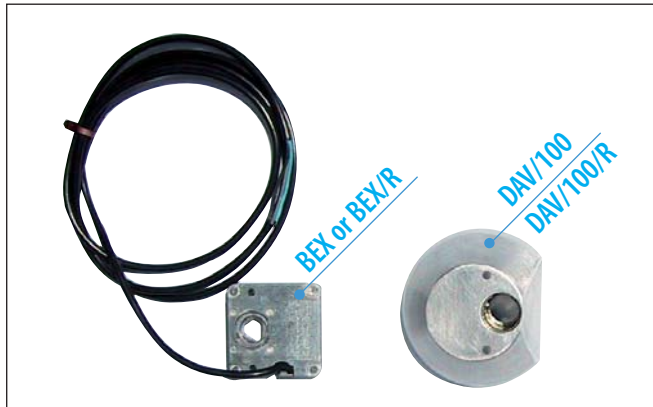
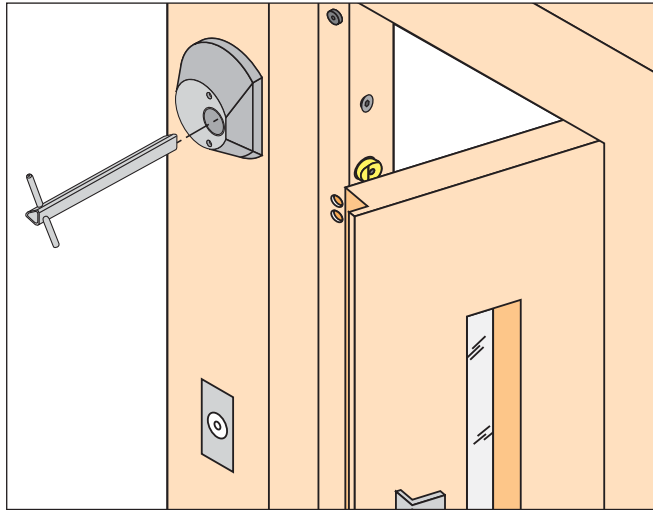
DAV/100/R

(and rearmable in option)



**VERY IMPORTANT :**

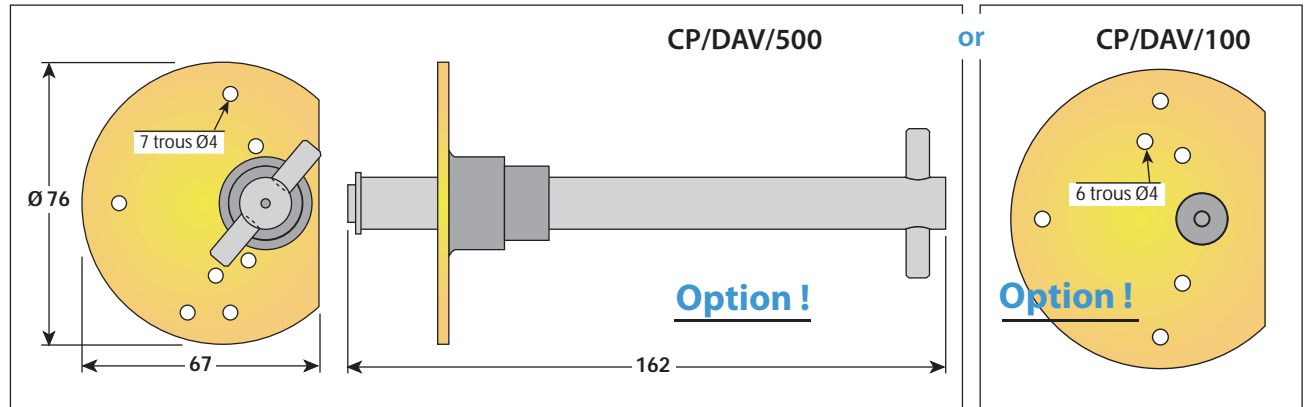
Systems : **DAV, AEX, BEX, CEX, DEX**, must be associated to buzzer and luminous warning.



**Wiring DAV100 and DAV100/R**

- 3 wires (inverse contact) :  
**black** (common) ; **grey** (NO) ; **blue** (NF).

**Drilling gauge**



Ind. A du 19/12/2011

FP

Document non contractuel, sous réserve de modification - Reproduction interdite.

31 801 PRODUCT INSTALLATION CARD-INDEX

For hinged landing doors